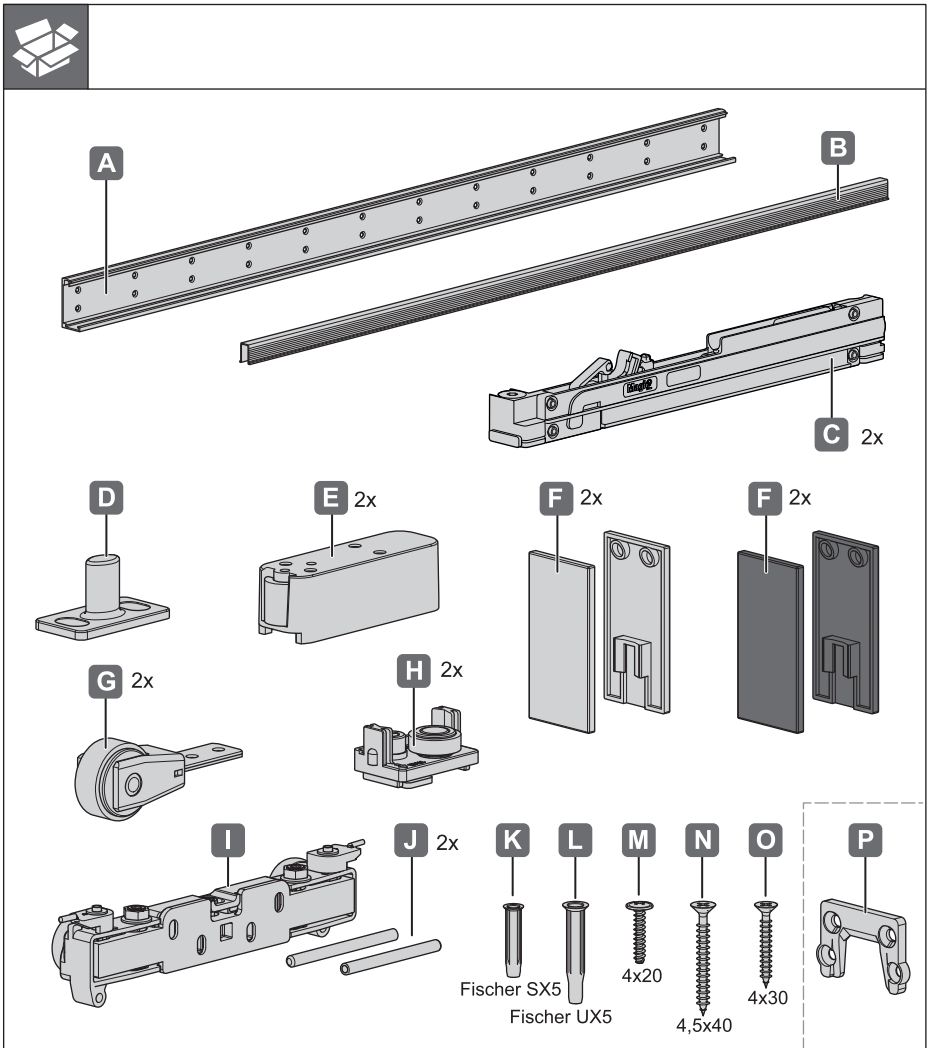




Slido Design 80-M

940.59.008
940.59.009

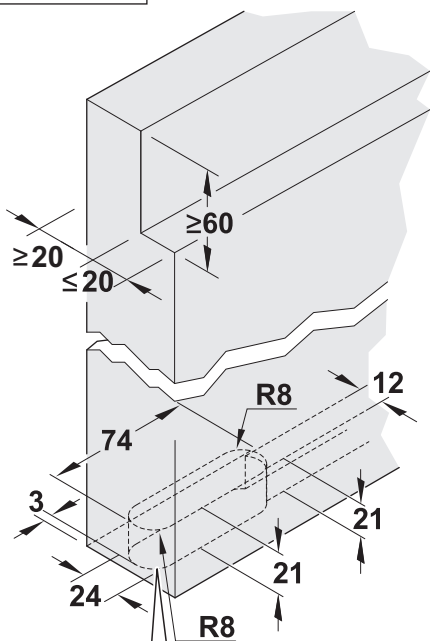
		Design 80-M	
	L = 1100 mm	940.59.008	
	L = 1800 mm	940.59.009	



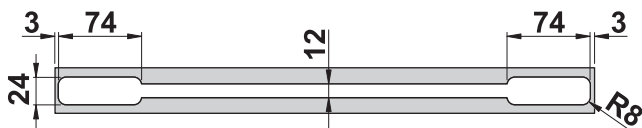
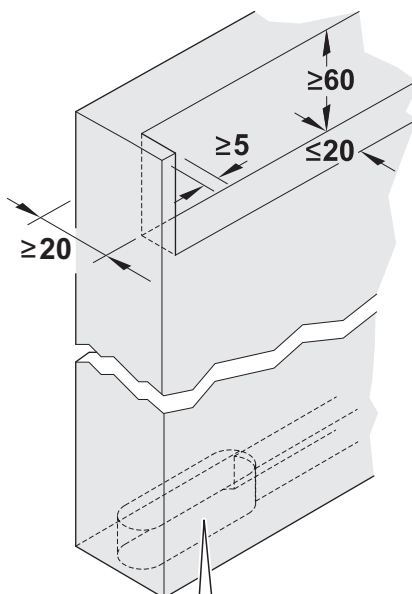
i



A



B



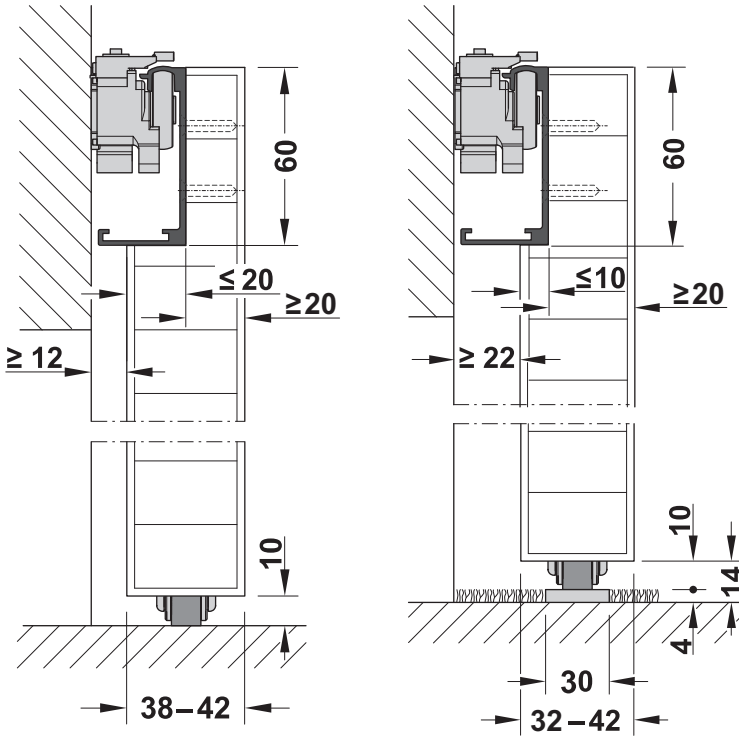
732.29.799

HDE 07.01.2020

i

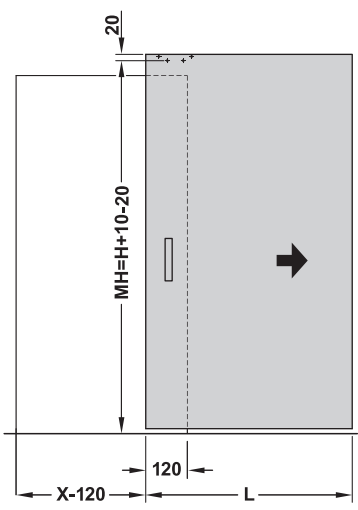
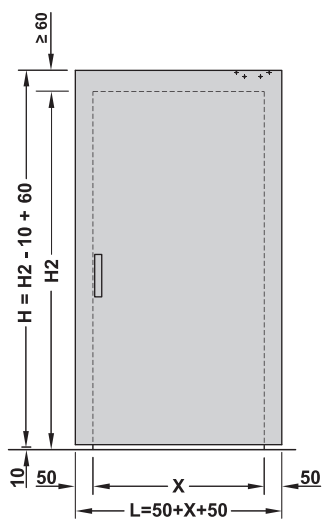
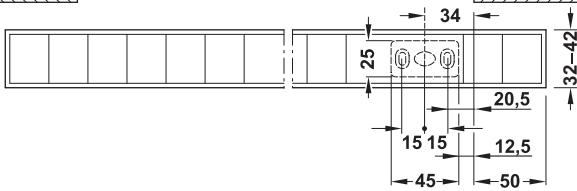
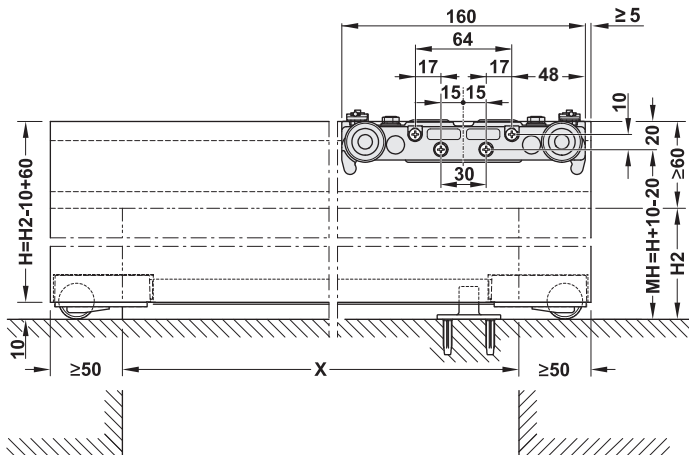
mm

732.29.799



HDE 07.01.2020

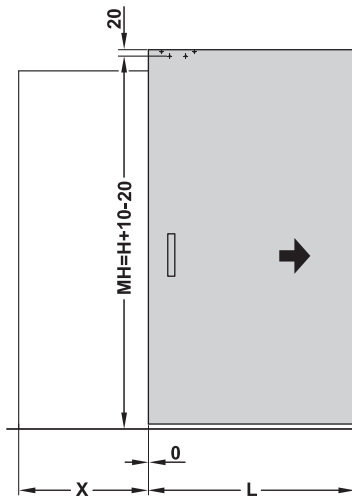
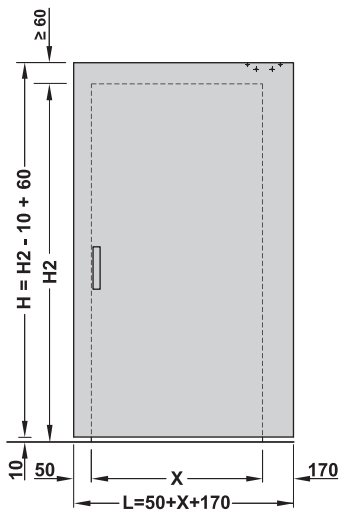
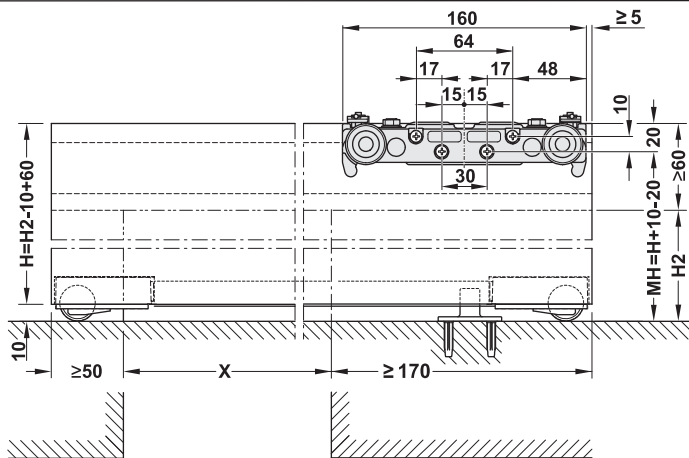
i



732.29.799

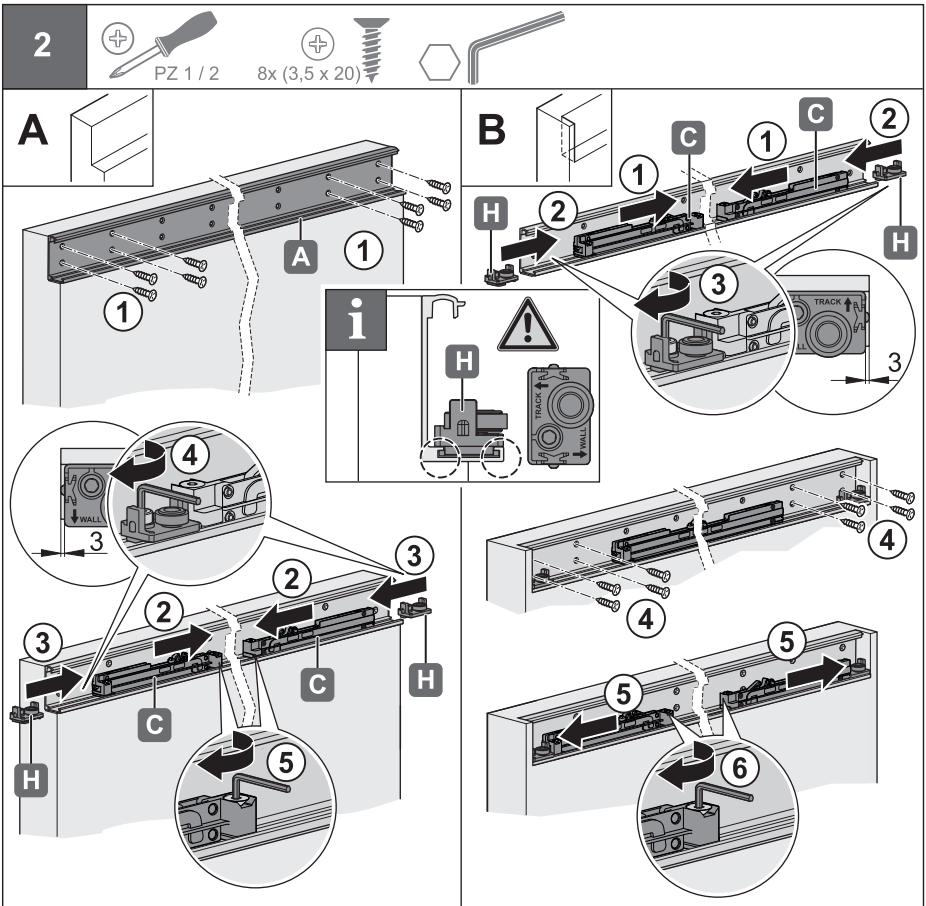
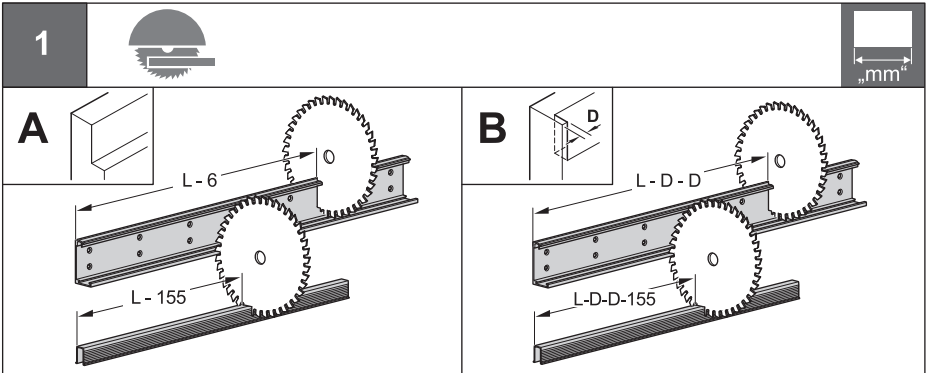
HDE 07.01.2020

i



732.29.799

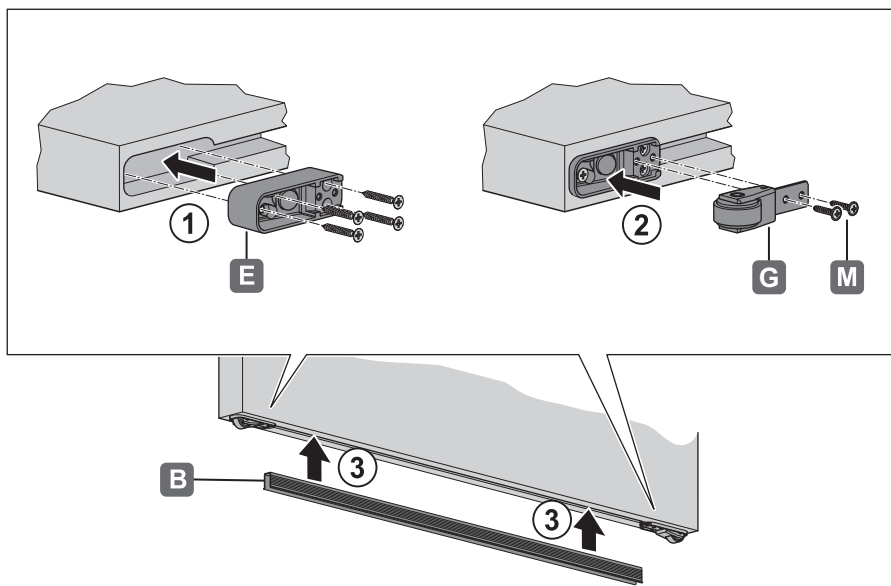
HDE 07.01.2020



732.29.799

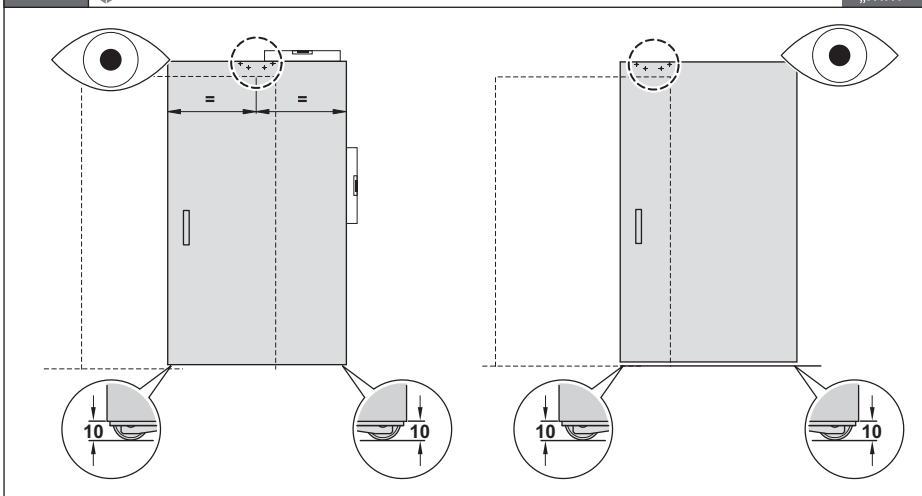
HDE 07.01.2020

3



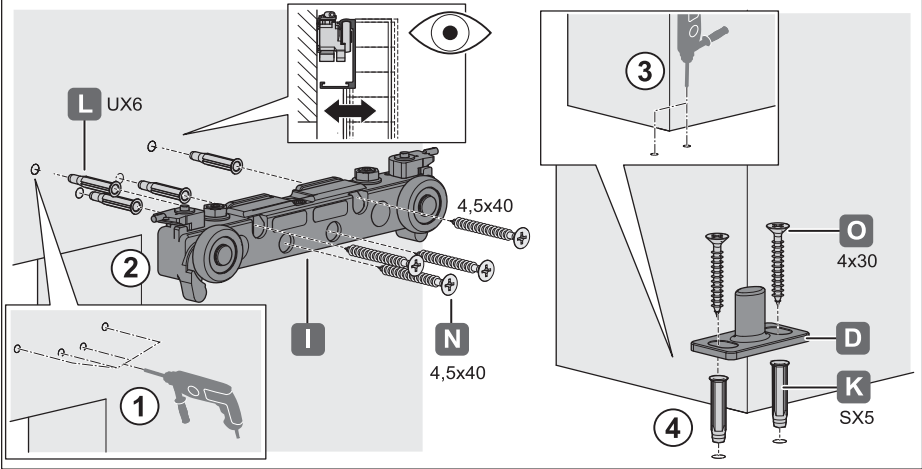
732.29.799

4



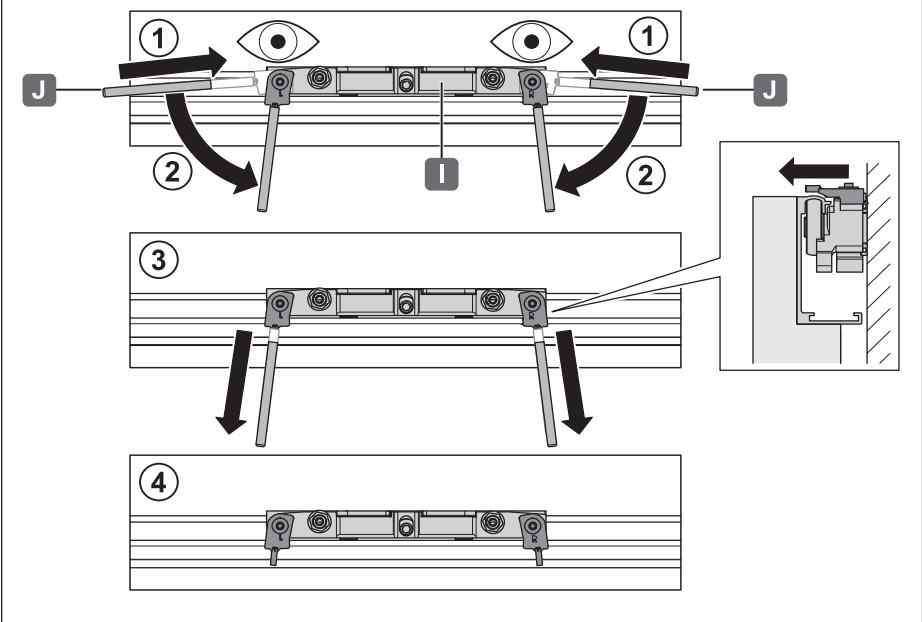
HDE 07.01.2020

5



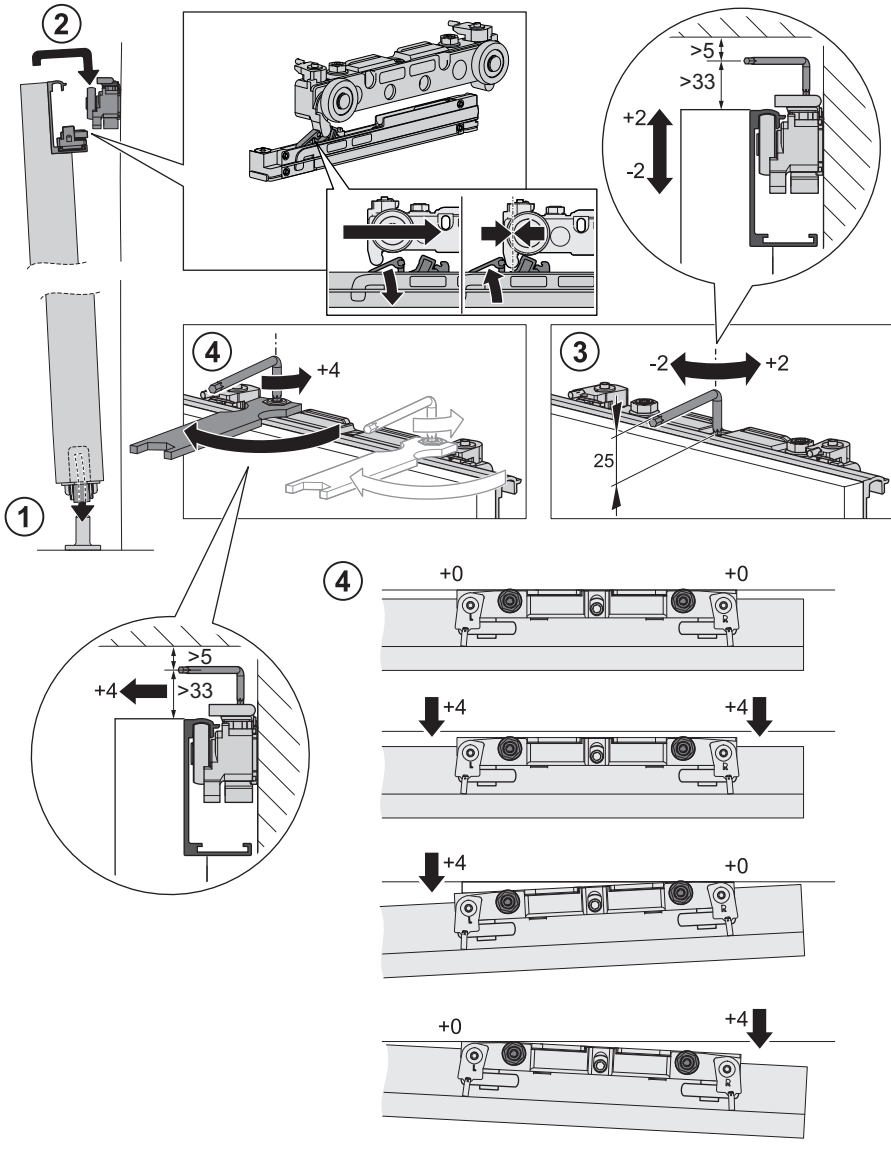
732.29.799

6



HDE 07.01.2020

7

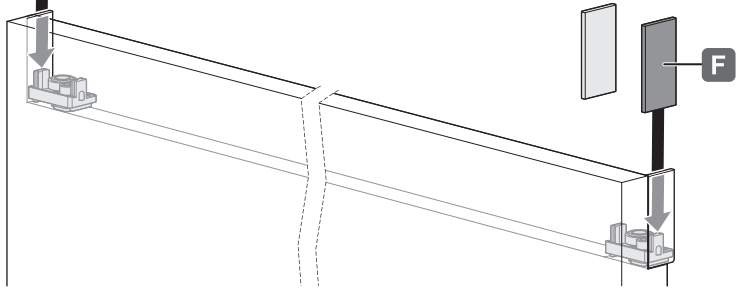
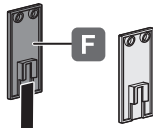
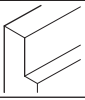


732.29.799

HDE 07.01.2020

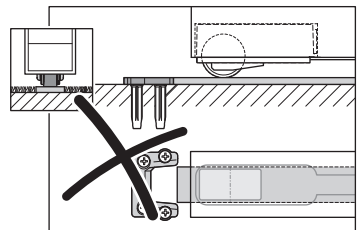
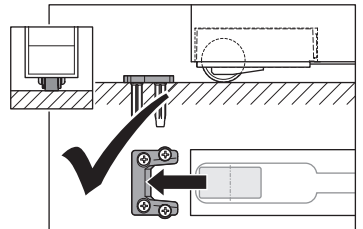
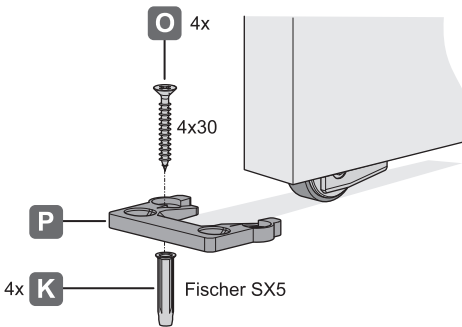
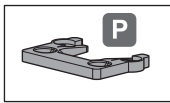
8

A



732.29.799

i



HDE 07.01.2020

732.29.799

HDE 07.01.2020